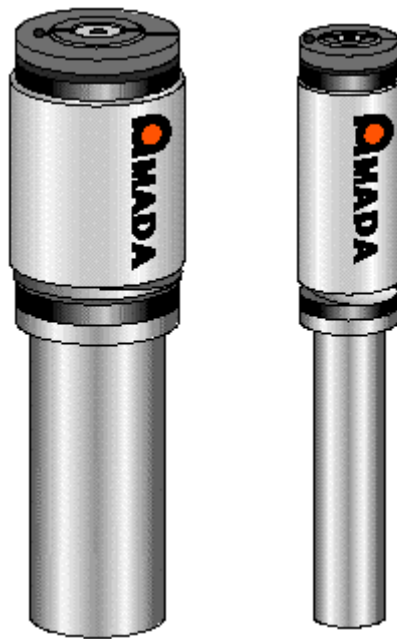



# NCT-Standard Series Price List

From: 01/Jan/2003    Until: 30/Jun/2003

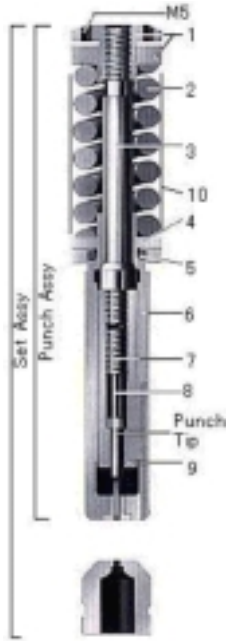


[www.amada.com.au](http://www.amada.com.au)

 **AMADA**Oceania Pty Ltd.  
TEL: 02 9680 8900    FAX : 02 9680 9855

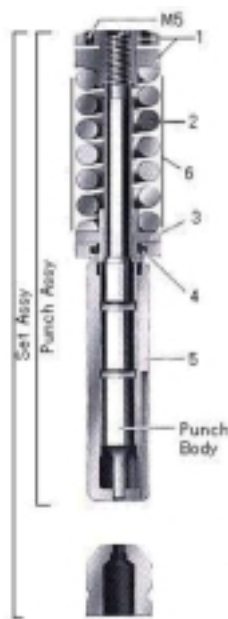
# NCT-Standard Series

## 1/2" A-Station ROUND (0.80-1.50 dia Replaceable Tip Type)



Type	Tool Code	Tool Name	Price
03	311110	SET ASSY	\$612
03	111110	PUNCH ASSY	\$564
03	211020	DIE	\$48
03	411110	PUNCH TIP	\$45
03	901400	1 - PUNCH HEAD	\$26
03	901300	2 - SPRING	\$11
03	901520	3 - DRIVER	\$64
03	901200	4 - COLLAR	\$11
03	910060	5 - O RING	\$3
03	901510	6 - GUIDE	\$409
03	998600	7 - LOCK SCREW (M10X10)	\$3
03	901550	8 - PIN	\$20
03	901530	9 - PUNCH HOLDER	\$169
03	926120	10 - SPRING COVER	\$4

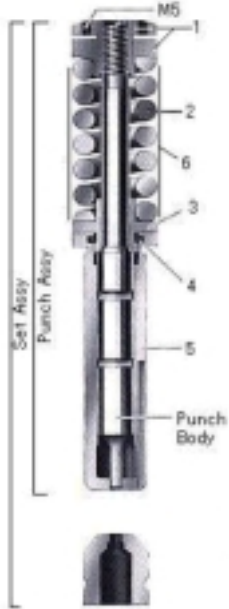
## 1/2" A-Station ROUND (1.51 - 3.20 dia)



Type	Tool Code	Tool Name	Price
03	311020	SET ASSY	\$270
03	111020	PUNCH ASSY	\$222
03	211020	DIE	\$48
03	411020	PUNCH BODY	\$39
03	412020	PUNCH BODY (OH)	\$81
03	41X020	PUNCH BODY (APH)	\$195
03	901400	1 - PUNCH HEAD (DOUBLE)	\$26
03	901300	2 - SPRING	\$11
03	901200	3 - COLLAR	\$11
03	910060	4 - O RING	\$3
03	511020	5 - GUIDE	\$128
03	926120	6 - SPRING COVER	\$4

# NCT-Standard Series

## 1/2" A-Station ROUND (3.21-12.70 dia)



Type	Tool Code	Tool Name	Price
03	311030	SET ASSY	\$270
03	111030	PUNCH ASSY	\$222
03	211020	DIE	\$48
03	411030	PUNCH BODY	\$39
03	412030	PUNCH BODY(OH)	\$81
03	41X030	PUNCH BODY(APH)	\$195
03	901400	1 - PUNCH HEAD	\$26
03	901300	2 - SPRING	\$11
03	901200	3 - COLLAR	\$11
03	910060	4 - O RING	\$3
03	511020	5 - GUIDE	\$128
03	926120	6 - SPRING COVER	\$4

## 1/2" A-Station SHAPE (up to 12.7 diagonal)

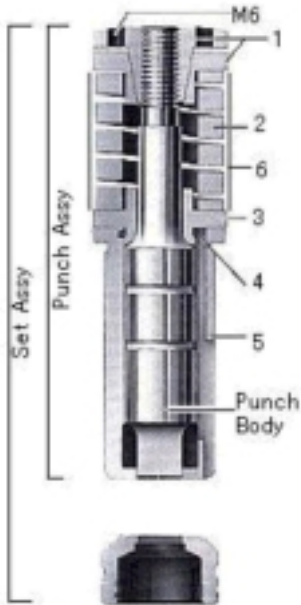


Type	Tool Code	Tool Name	Price
03	321020	SET ASSY	\$490
03	121020	PUNCH ASSY	\$391
03	221020	DIE	\$99
03	421020	PUNCH BODY	\$97
03	422020	PUNCH BODY(OH)	\$172
03	42X020	PUNCH BODY(APH)	\$384
03	901400	1 - PUNCH HEAD	\$26
03	901300	2 - SPRING	\$11
03	901200	3 - COLLAR	\$11
03	910060	4 - O RING	\$3
03	521010	5 - GUIDE	\$239
03	926120	6 - SPRING COVER	\$4

\*Standard shapes are:  
 Square, Rectangular, Obround, Double-D, Single-D.

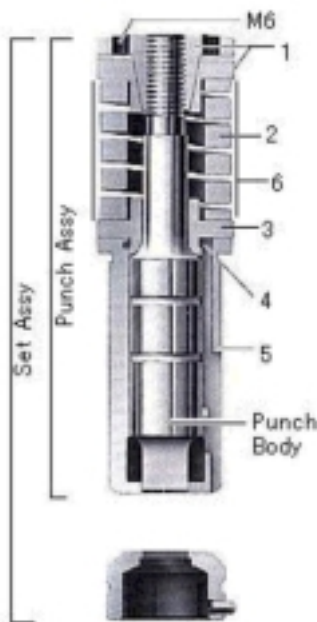
# NCT-Standard Series

## 1.1/4" B-Station ROUND (12.80 -31.70 dia)



Type	Tool Code	Tool Name	Price
03	311040	SET ASSY	\$372
03	111040	PUNCH ASSY	\$322
03	211010	DIE	\$50
03	411040	PUNCH BODY	\$72
03	412040	PUNCH BODY(OH)	\$155
03	41X040	PUNCH BODY(APH)	\$282
03	901430	1 - PUNCH HEAD	\$42
03	901310	2 - SPRING	\$48
03	901210	3 - COLLAR	\$20
03	910080	4 - O RING	\$3
03	511040	5 - GUIDE	\$131
03	926120	6 - SPRING COVER	\$6

## 1.1/4" B-Station SHAPE (up to 31.70 diagonal)

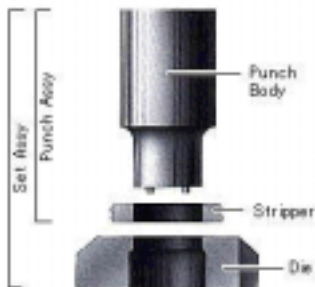


Type	Tool Code	Tool Name	Price
03	321040	SET ASSY	\$632
03	121040	PUNCH ASSY	\$507
03	221040	DIE	\$125
03	421040	PUNCH BODY	\$132
03	422040	PUNCH BODY(OH)	\$255
03	42X040	PUNCH BODY(APH)	\$421
03	901430	1 - PUNCH HEAD	\$42
03	901310	2 - SPRING	\$48
03	901210	3 - COLLAR	\$20
03	910080	4 - O RING	\$3
03	521040	5 - GUIDE	\$256
03	926120	6 - SPRING COVER	\$6

\*Standard shapes are:  
 Square, Rectangular, Obround, Double-D, Single-D.

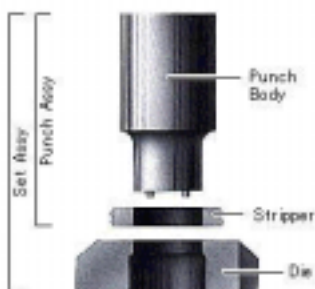
# NCT-Standard Series

## 2" C-Station ROUND (31.71 - 50.80 dia)



Type	Tool Code	Tool Name	Price
03	311060	SET ASSY	\$409
03	111060	PUNCH ASSY	\$250
03	211060	DIE	\$159
03	411060	PUNCH BODY	\$185
03	412060	PUNCH BODY(OH)	\$242
03	41X060	PUNCH BODY(APH)	\$358
03	511060	STRIPPER PLATE	\$65

## 2" C-Station SHAPE (up to 50.80 diagonal)

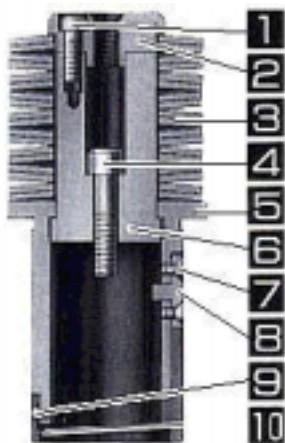


Type	Tool Code	Tool Name	Price
03	321060	SET ASSY	\$727
03	121060	PUNCH ASSY	\$417
03	221060	DIE	\$310
03	421060	PUNCH BODY	\$323
03	422060	PUNCH BODY(OH)	\$482
03	42X060	PUNCH BODY(APH)	\$531
03	521060	STRIPPER PLATE	\$94

\*Standard shapes are:

Square, Rectangular, Obround, Double-D, Single-D.

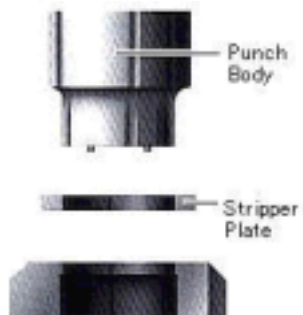
## 2" C-Station GUIDE



Type	Tool Code	Tool Name	Price
03	900120	PUNCH GUIDE ASSY	\$1249
03	999600	1 - CAP SCREW (M8X25)	\$3
03	901020	2 - PUNCH HEAD	\$62
03	901320	3 - SPRING	\$19
03	999700	4 - CAP SCREW (M12X50)	\$5
03	900720	5 - PUNCH GUIDE	\$636
03	901120	6 - PUNCH DRIVER	\$116
03	999300	7 - C' SINK SCREW(M5X8)	\$3
03	901420	8 - KEY	\$84
03	998700	9 - TORX SCREW (M4X5)	\$3
03	901360	10 - STRIPPER SPRING	\$3

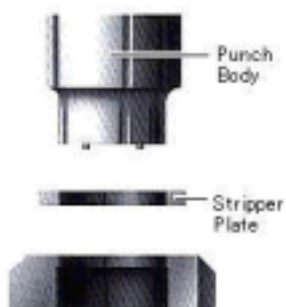
# NCT-Standard Series

## 3.1/2" D-Station ROUND (50.9-88.9 dia)



Type	Tool Code	Tool Name	Price
03	311080	SET ASSY	\$568
03	111080	PUNCH ASSY	\$339
03	211080	DIE	\$229
03	411080	PUNCH BODY	\$260
03	412080	PUNCH BODY(OH)	\$416
03	511080	STRIPPER PLATE	\$79

## 3.1/2" D-Station SHAPE (up to 88.90 diagonal)

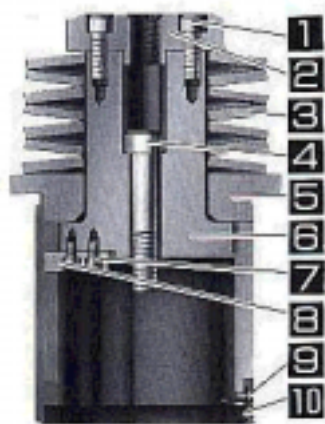


Type	Tool Code	Tool Name	Price
03	321080	SET ASSY	\$1049
03	121080	PUNCH ASSY	\$597
03	221080	DIE	\$452
03	421080	PUNCH BODY	\$448
03	422080	PUNCH BODY(OH)	\$672
03	521080	STRIPPER PLATE	\$149

\*Standard shapes are:

Square, Rectangular, Obround, Double-D, Single-D.

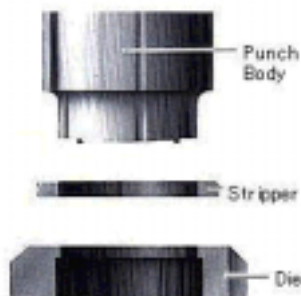
## 3.1/2" D-Station GUIDE



Type	Tool Code	Tool Name	Price
03	900130	PUNCH GUIDE ASSY	\$1572
03	999600	1 - CAP SCREW (M8X25)	\$3
03	901030	2 - PUNCH HEAD	\$66
03	901330	3 - SPRING	\$48
03	999900	4 - CAP SCREW (M12X70)	\$7
03	900730	5 - PUNCH GUIDE	\$760
03	901130	6 - PUNCH DRIVER	\$295
03	999400	7 - CAP SCREW(M5X10)	\$3
03	910110	8 - KEY	\$23
03	998700	9 - TORX SCREW (M4X5)	\$3
03	901360	10 - STRIPPER SPRING	\$3

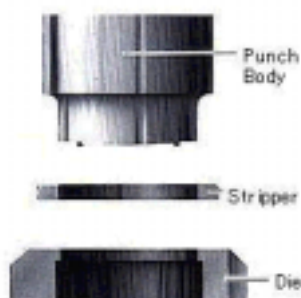
# NCT-Standard Series

## 4.1/2" E-Station ROUND (88.91-114.30 dia)



Type	Tool Code	Tool Name	Price
03	311090	SET ASSY	\$905
03	111090	PUNCH ASSY	\$509
03	211090	DIE	\$396
03	411090	PUNCH BODY	\$398
03	412090	PUNCH BODY(OH)	\$567
03	511090	STRIPPER PLATE	\$111

## 4.1/2" E-Station SHAPE (up to 114.30 diagonal)

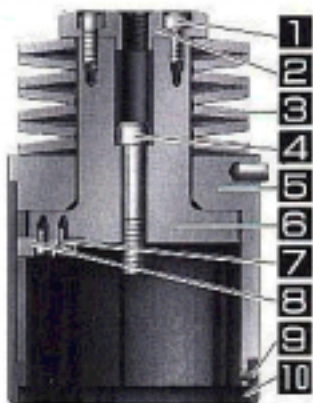


Type	Tool Code	Tool Name	Price
03	321090	SET ASSY	\$1487
03	121090	PUNCH ASSY	\$790
03	221090	DIE	\$697
03	421090	PUNCH BODY	\$629
03	422090	PUNCH BODY(OH)	\$898
03	521090	STRIPPER PLATE	\$161

\*Standard shapes are:

Square, Rectangular, Obround, Double-D, Single-D.

## 4.1/2" E-Station GUIDE



Type	Tool Code	Tool Name	Price
03	900140	GUIDE ASSY (E-ST)	\$1708
03	999650	1 - CAP SCREW (M8X20)	\$19
03	901040	2 - PUNCH HEAD	\$66
03	901330	3 - SPRING	\$48
03	999900	4 - CAP SCREW (M12X70)	\$7
03	900740	5 - PUNCH GUIDE	\$824
03	901140	6 - PUNCH DRIVER	\$347
03	999400	7 - CAP SCREW(M5X10)	\$3
03	910110	8 - KEY	\$23
03	998700	9 - TORX SCREW (M4X5)	\$3
03	901360	10 - STRIPPER SPRING	\$3